

# 13

[www.goldenrules.co.kr](http://www.goldenrules.co.kr)

## Golden Rules Co.,Ltd

High Performance Smart  
Head type

### KC-8200H Series Temperature Transmitter



The nation's development item, 100% domestic goods, Patent **NO.** 10-1606497



# 13. SMART TEMPERATURE TRANSMITTER

## 13-8. Head type Temp' Transmitter KC-8200N Series



Head type\_KC-8200H Series

### Feature

- High reference accuracy:  $\pm 0.2\%$  F.S
- Display: Non-display type
- Certification: IP65
- Power: (16 ~ 26)V DC, 30mA, 0.8W
- Output signal: 4 - 20 mA, 2-wire, HART
- 1 - 5V, 0 - 5V, 0 - 10V DC (3-Wire)
- Material: Housing – AL.-Casting
- Temperature range: 0 to 1...600°C
- Size/Weight: W30 x H110 x D20 / Approx. 0.5kg
- PCB current consumption: less than 3mA
- Cell position measurement:  $\pm 1^\circ$  one side horizontally
- Overload: 0.1 to 1 Mpa
- operating temperature range
  - Ambient temperature: -20 ~ 60°C
  - Meter temperature: -30 ~ 80°C
  - Humidity limit: 5~100% RH
  - Sensor Type: Sheath-RTD

### Product Advantages

The KC-8200H temperature transmitter can be connected to various control devices through a dedicated circuit that controls signal conversion, signal transmission processing, and current output, and has stable and reliable functions to measure temperature in various environments. Based on high precision circuit, the temperature sensor transmits stable temperature measurement and signal.

## Description

The KC-8200H Smart Temperature Transmitter is a microprocessor-based, high-performance transmitter with flexible input calibration and output, automatic calibration of ambient temperature and process variables, and various parameter configurations. Depending on the application method, the range of application is very wide, such as measuring the temperature of liquids, gases or vapors.

## Function

- ▶ Flexible sensor input: Pt100ohm
- ▶ Various outputs: 4 ~ 20mA, 1-5V, 0-10V DC
- ▶ Stable Zero and Span signal
- ▶ Robust and durable design
- ▶ Excellent corrosion resistance and friction resistance
- ▶ Shock and vibration protection
- ▶ High accuracy and temperature drift compensation

## Transmitter Description

The KC-8200H non-indicating temperature transmitter has only output function.

- ▶ Basic settings
  - Operating parameters.
  - 4~20mA point (Zero/Span)
  - Damping time: 0.25 to 60 seconds
- ▶ Calibration and trimming • Lower/Upper Range (Zero/Span) • Sensor zero trim • Zero adjustment

## Performance

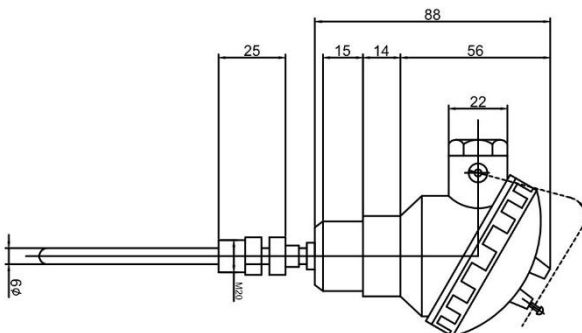
- ▶ Zero and span adjustment limits
  - The range limit for Zero and Span values is that the span must be greater than or equal to the minimum value.
- ▶ Output (analog current and digital data)
  - 2-wire 4-20mA, digital signal linear or 3-wire, 1-5V, 0-10V DC
- ▶ Power supply and load requirements
  - Requires external power supply. \* 250 ohm load to 17.5Vdc
  - Voltage range: 16 to 26 Vdc, rated voltage: 24 Vdc  $\pm$ 30%

- ▶ Storage temperature
  - -40°C ~ 85°C (non-condensing)
- ▶ Process temperature limits (range codes and approval codes may affect limits)
  - -40°C ~ 120°C (-104 ~ 248°F)
- ▶ Flexible sensor input
  - Sheath-RTD 6.4mm, RTD 6.0mm
  - Zero/Span, Trim, Unit, Fail-mode, etc.

## physical specifications

- ▶ Wetted material
  - Insulation sensor 304L SST
  - End connections and adapters 304 SST
- ▶ Non-contact material
  - Electronic housing aluminum (IP56)
  - Epoxy-polyester or polyurethane paint
  - Nameplate 304 SST
- ▶ Electrical connection
  - 3/8" PF
- ▶ Process connection
  - 1/2" PT or PF weight 0.5 kg  
(Standard - excluding options)

## Demension Drawing KC-8200H Series



**Order Code KC-8200H Series (Smart Head type Temp' Transmitter)**

KC-8200H-   -   -   -   - P  -    - V  -    -   -  

Type
C-conn'
P-conn'
T-range
Power
Output
Display
S-length
Require
Option

1
2
3
4
5
6
7
8
9
10

Temp' type	Code 1
Sheath RTD 6.4	S
RTD 6.0	R
Agency	W

Input power	Code 5
DC 24 V ±10%, 30 mA	2

Requires	Code 9
Test Report (by Manufacturer)	T1
Calibration (by KOLAS)	T2
Material Certificate (Mill Sheet)	M1
Agency	W

Conduit conn'	Code 2
G(PF)1/2" Female	G
Agency	W

Output signal	Code 6
DC 4 ~ 20mA, 2-wire	1
1-5V, 0-10V DC, 3-wire	2

Process conn'	Code 3
PT 1/2", PF1/2"	O
Agency	W

Display	Code 7
Not Display	N

Option	Code 10
Agency approved, customer specified	W

Temp' range	Code 4
0 ~ 100°C	1
0 ~ 200°C	2
0 ~ 300°C	3
0 ~ 400°C	4
0 ~ 500°C	5
0 ~ 600°C	6
Agency	W

Sensor length	Code 8
100L	1
200L	2
300L	3
Agency	W





**Golden Rules**

• GOLDEN RULES

[www.goldenrules.co.kr](http://www.goldenrules.co.kr)

Flow & Level & Pressure & Temperature  
water quality analyzer/TMS  
professional manufacturing

**Distributor**

Certified in accordance with

KC Q ISO 9001 : 2015

KC Q ISO 14001 : 2015

 (주)골든룰