

# Rotameter ; Variable area Flow Meter – Orifice Flow Meter

Model : KCT – 300 Series - Transmitter (차입 유량계)

## FEATURES

- High Pressure and temperature Capability
- 2 x 12 Character LCD (Rate, Total, Acc-Total)
- 4 – 20mA, Scaled Pulse Output
- Simple insertion design

## APPLICATIONS

- Industry Process Water
- Industry Process Gas
- Industry Process Steam
- Industry Process Chemical

## FEATURE

- Total / accumulated total / flow rate
- Differential Pressure inputs only
- Scaled pulse output
- 4 – 20mA analog output
- Alarm setter (2 – Relay)

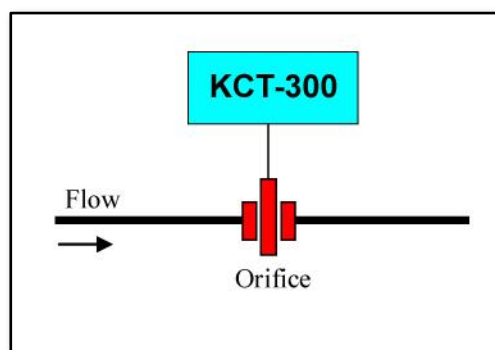
## OVER VIEW

The KCT – 300 Orifice Differential Pressure Flow meter is designed to measure flow in Orifice Differential Pressure type flow meter

The KCT – 300 provides highly reliable results for industrial requirement with high quality and reasonable price.

The KCT – 300 is able to check rate and total by adhering of transmitter to orifice body and transmit the signal to outside, so, it can match with any other instrument at control room.

The KCT – 300 is possible to apply to all fluid excepting high viscosity fluid. Especially, it is suitable one to gas, steam, liquid, high temperature and high pressure.



## SPECIFICATIONS

Description		Specifications	
Application		Liquid, gas, steam, chemical	
Flow Range		10 : 1 (Standard)	
Max. Operating Pressure		30kgf/cm <sup>2</sup> G	
Operating Temperature		-20 ~ +104°C	
Ambient Temperature		-20 ~ +50°C	
Sensing Parts	Differential Pressure	Low	0 ~ 500mmH <sub>2</sub> O
		Medium	0 ~ 4,000mmH <sub>2</sub> O
		High	0 ~ 16,000mmH <sub>2</sub> O
Display	Rate	4 Digit	
	Total, Acc-Total	7 Digit	
Output Signal	Analog Output	4 ~ 20mA DC (Max. Load 600Ω)	
	Pulse Output	Isolated open collect	
		Max. DC24V / 50mA	
		Max. Pulse : 49/sec Pulse	
Accuracy		Liquid	± 1.0 F.S
		Gas, Steam	± 2.0 F.S
Power	Power	AC 110 / 220V, 50/60Hz	
	Power consumption	6VA (Max.)	
Enclose		IP65	
Connection		1/2" PF NPT	

## MATERIAL

Parts		Standard	Option
Base Socket		SS304	SS316
Orifice Plate		SS304	SS316
Display Parts		Die casting Aluminum	
Wetted parts	Diaphragm	SS316L	
	Other	SS316L	
	O-RING	Viton	
	Fill Fluid	Silicon Oil	
Process Connection	Housing	SS316	
	Parts	SS316	
	O-RING	NBR	

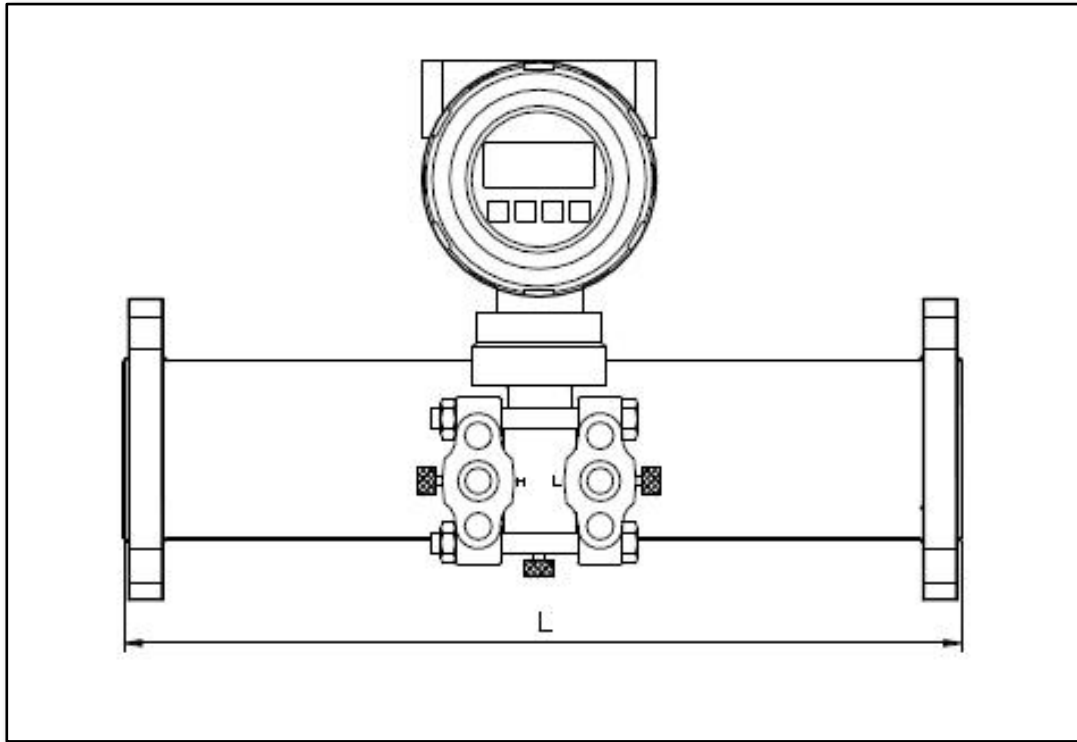
## SIZE & FLOW RANGE CHART

Size		H <sub>2</sub> O(m <sup>3</sup> /h)		Air (N m <sup>3</sup> /h) 1 atm 20°C	
		Flow rate	One scale	Flow rate	One scale
3/8B	10A	0.1 – 0.5	0	0.8 – 4	0
1/2B	15A	0.2 – 1.0	0	2 – 10	0
3/4B	20A	0.5 – 2.5	0	5 – 25	1
1B	25A	1.0 – 5.0	0	10 – 50	1
1.1/4B	32A	1.2 – 6.4	0	12 – 60	2
1.1/2B	40A	2 – 10	0	20 – 100	2
2B	50A	4 – 20	0.5	40 – 200	5
2.1/2B	65A	6 – 32	1	60 – 300	10
3B	80A	8 – 42	1	80 – 400	10
4B	100A	16 – 80	2	160 – 800	20
5B	125A	25 – 125	5	250 – 1250	50
6B	150A	35 – 180	5	350 – 1700	50
8B	200A	60 – 320	10	600 – 2800	100
10B	250A	90 – 480	10	900 – 5000	200
12B	300A	160 – 820	20	1600 – 7800	200
14B	350A	200 – 1000	20	2000 – 9500	200
16B	400A	300 – 1500	50	3000 – 14500	500
18B	450A	400 – 2000	50	4000 – 19000	500
20B	500A	500 – 2500	50	5000 – 24000	500

## ORDERING INFORMATION

Model	Order Code					Description
KCT – 300 -	Range	L				500 mmH <sub>2</sub> O
		M				4,000 mmH <sub>2</sub> O
		H				16,000 mmH <sub>2</sub> O
	Output		1			Pulse + 4 – 20mA (std)
			2			Pulse + 4 – 20mA + 2-Realy
	Power			E		AC 110V or 220V
					D	DC 24V

## DIMENSION



## DIMENSION CHARTS

Size		MATERIAL
A	B	L
10A	3/8B	520
15A	1/2B	520
20A	3/4B	520
25A	1B	520
32A	1.1/4B	520
40A	1.1/2B	520
50A	2B	520
65A	2.1/2B	520
80A	3B	540
100A	4B	540
125A	5B	540
150A	6B	540
200A	8B	540
250A	10B	540
300A	12B	540
350A	14B	540
400A	16B	540
450A	18B	540
500A	20B	540